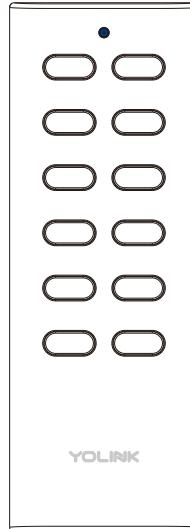




User Guide

YS3603-UC



YoLink Remote

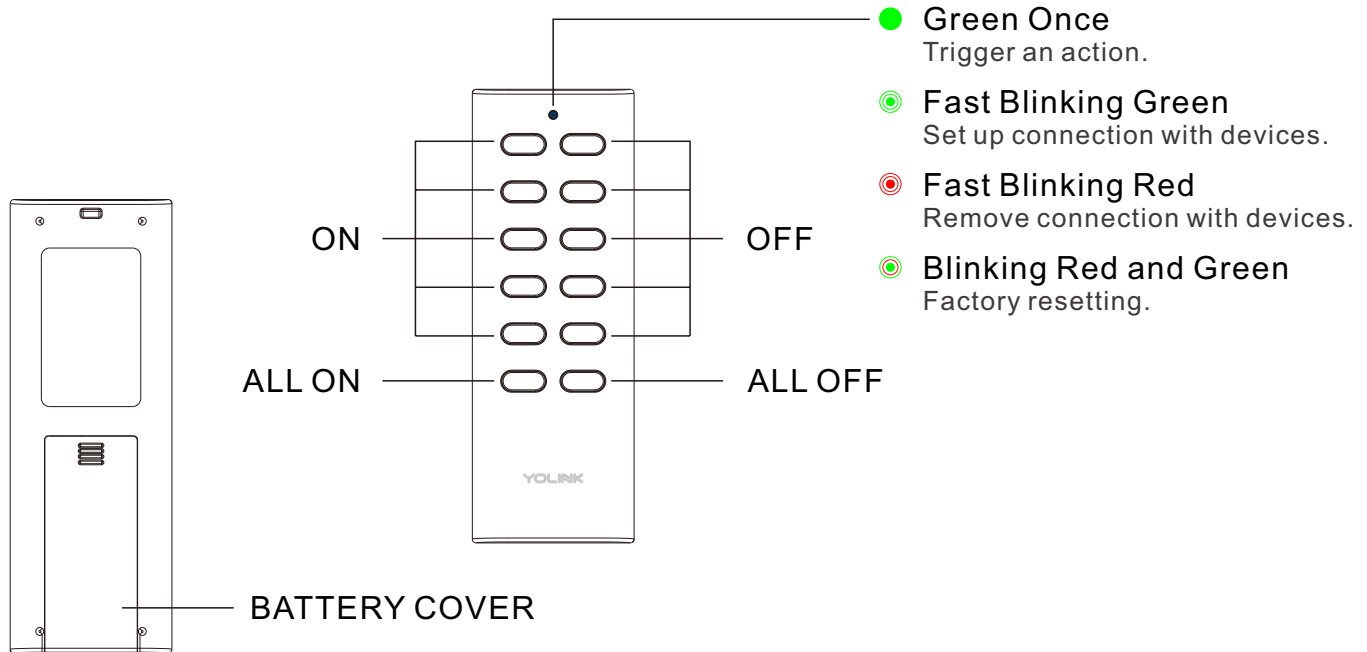
Contents

Introduction	1
Features	2
Device Supported	2
YoLink Control	3
Maintaining the YoLink Remote	5
Specifications	7
Customer Service and Warranty	8

Introduction

With YoLink Remote, you can custom grouping plugs, switches, and outlets and control them by one button. No hub or internet is required.

LED lights can show you the current status. See the explanation below:



Features

YoLink Control - No internet is required, turn on or off your YoLink devices after you set up your devices with the remote.

Long Range - Up to 500 Feet between remote and device.

Devices Supported

- YS6602-UC YoLink Plug
- YS6604-UC YoLink Plug Mini
- YS5705-UC In-wall Switch
- YS6704-UC In-wall Outlet
- YS4907-UC Gas/Water Valve
- YS6801-UC Smart Power Strip
- YS6802-UC Smart Switch

Continuously updating..

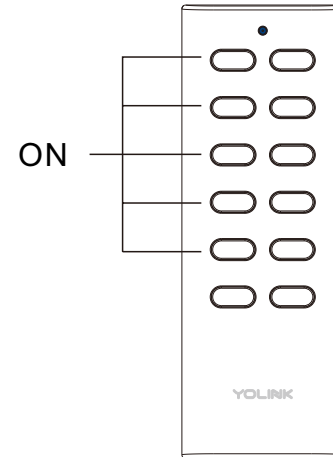
YoLink Control

YoLink Control is our unique “device to device” control technology. Under YoLink Control, the devices can be controlled without internet or Hub. Device which send out command is called controller(Master). Device which receive command and act accordingly is called responder(Receiver). Controller and responder list will show you below.

You will need to set it up physically.

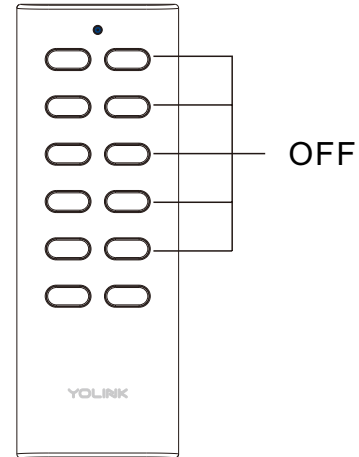
Pairing

- Find a YoLink remote as controller(Master). Hold any ON button for 5-10 seconds, the light will flash green quickly.
- Find an action device as responder(Receiver). Hold the power/set button for 5-10 seconds, the device will enter the pairing mode.
- After pairing succeed, the light will stop flashing.
- When press the ON button or ALL ON button on the remote, the action device will turn on. When press the corresponding OFF button or ALL OFF button on the remote, the action device will turn off.



Un-pairing

- Find the controller(Master) YoLink remote. Hold the OFF button for 10-15 seconds, the light will flash red quickly.
- Find the responder(Receiver) action device. Hold the power/set button for 10-15 seconds, the device will enter the un-pairing mode.
- The above two devices will unpair by themselves and the light stops flashing.
- After unbundling, all the control buttons of YoLink Remote will no longer change status of the action device.

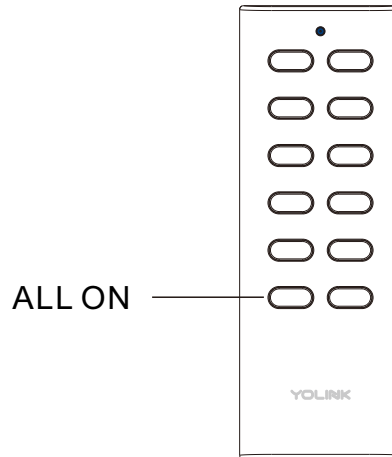


Maintaining the YoLink Remote

Factory Reset

Factory reset will erase all your settings and bring it back to default, which will remove all the connections with your pairing devices.

- Hold the ALL ON button for 20 seconds until the LED blinks red and green alternately.
- Factory reset will be done when the light stops flashing.

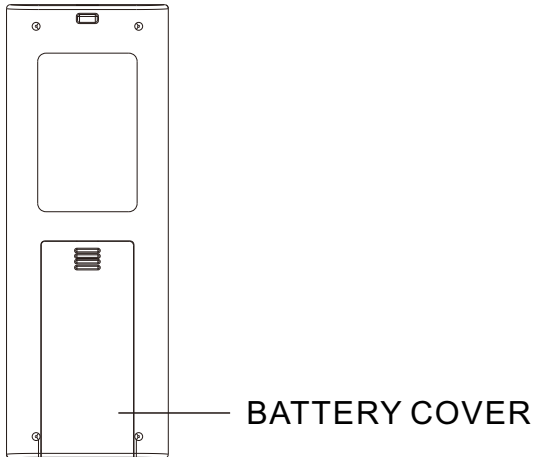


Battery Replace

When no action triggers on the pairing devices or no light when press the button on remote, please replace the battery.

Note

- Replace all your original batteries with new ones.



Specifications

Voltage: 3V DC (2 - AAA Battery)

Environment: Working Temperature: 0°C~40°C (32°F~104°F)
Working Humidity: 10%~90% non-condensing

**If you are unable to get your remote working
Please contact Our Customer Service during business hours**

US Live Tech Support: 1-949-825-5958 M-F 9am - 5pm PST

Email: support@YoSmart.com

YoSmart Inc. 17165 Von Karman Avenue, Suite 105, Irvine, CA 92614

WARRANTY 2 Year Limited Electrical Warranty

YoSmart warrants to the original residential user of this product that it will be free from defects in materials and workmanship, under normal use, for 2 year from the date of purchase. User must provide a copy of original purchase receipt. This warranty Does Not Cover abuse or misused products or products used in commercial applications. This warranty does not apply to remotes that have been improperly installed, modified, put to a use other than designed, or subjected to acts of God (such as floods, lightning, earthquakes, etc.). This warranty is limited to repairing or replacing of this remote only at YoSmart's sole discretion. YoSmart will NOT be liable for the cost of installing, removing, nor reinstalling this product, nor direct, indirect, or consequential damages to persons or property resulting from the use of this product. This warranty only covers the cost of replacement parts or replacement units, it does not cover shipping & handling fees.

To implement this warranty please give us a call during business hours at 1-949-825-5958, or visit www.yosmart.com.

REV1.0 Copyright 2019. YoSmart, Inc. All rights reserved.

FCC Statement

This equipment has been tested and found to comply with the limits for a Class B digital device, pursuant to part 15 of the FCC Rules. These limits are designed to provide reasonable protection against harmful interference in a residential installation. This equipment generates, uses and can radiate radio frequency energy and, if not installed and used in accordance with the instructions, may cause harmful interference to radio communications. However, there is no guarantee that interference will not occur in a particular installation. If this equipment does cause harmful interference to radio or television reception, which can be determined by turning the equipment off and on, the user is encouraged to try to correct the interference by one or more of the following measures:

- Reorient or relocate the receiving antenna.
- Increase the separation between the equipment and receiver.
- Connect the equipment into an outlet on a circuit different from that to which the receiver is connected.
- Consult the dealer or an experienced radio / TV technician for help.

This device complies with part 15 of the FCC Rules. Operation is subject to the following two conditions:

- 1) This device may not cause harmful interference.
- 2) This device must accept any interference received, including interference that may cause undesired operation. Any changes or modifications not expressly approved by the party responsible for compliance could void the user's authority to operate the equipment.

Note: The manufacturer is not responsible for any radio or TV interference caused by unauthorized modifications to this equipment. Such modifications could void the user's authority to operate the equipment.

FCC RF Radiation Exposure Statement

This equipment complies with FCC RF radiation exposure limits set forth for an uncontrolled environment. This device and its antenna must not be co-located or operating in conjunction with any other antenna or transmitter.

The device has been evaluated to meet general RF exposure requirement. The device can be used in portable exposure condition without restriction