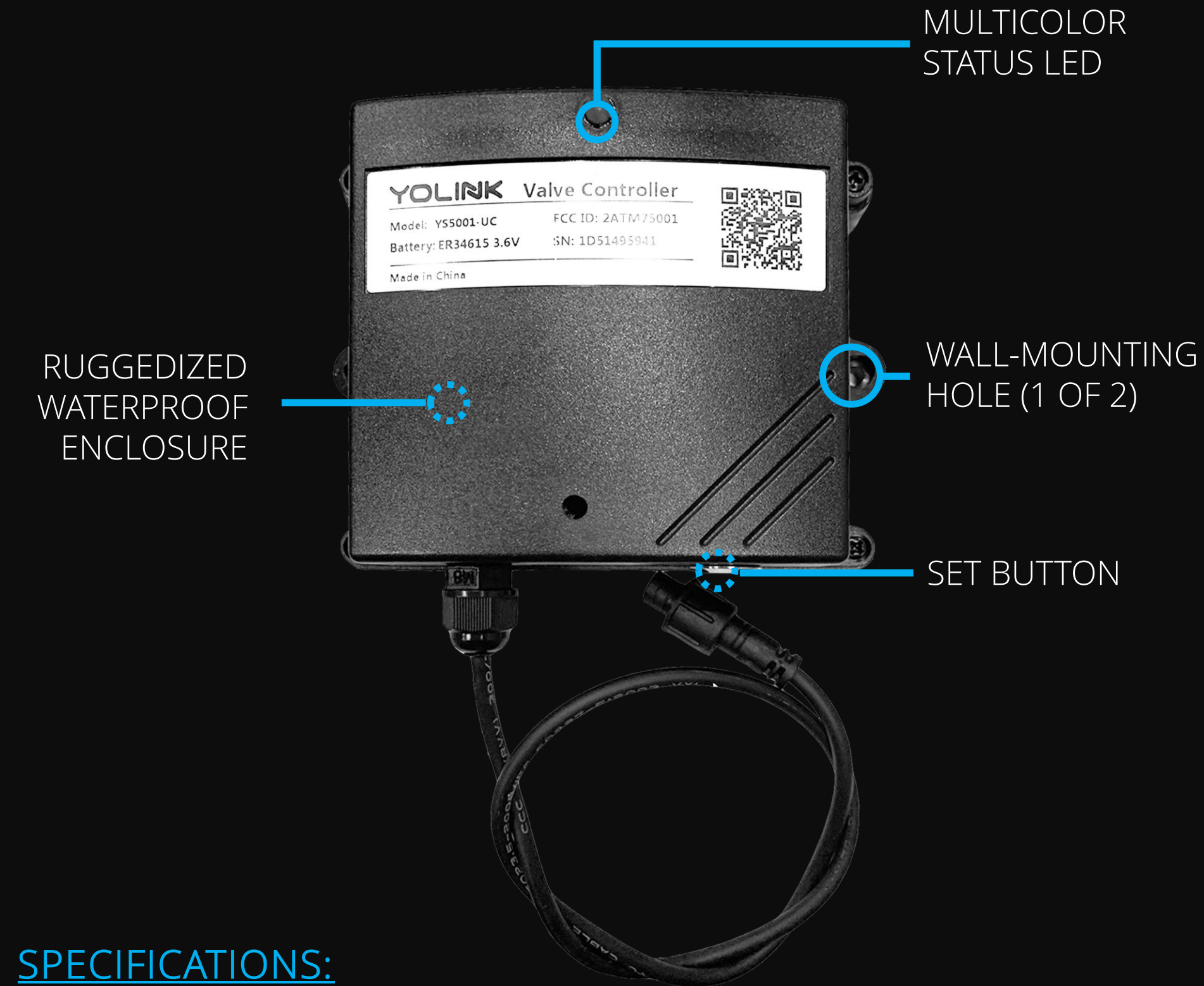


# X3 VALVE CONTROLLER

Wireless Controller for the Bulldog & Motorized Valve Products

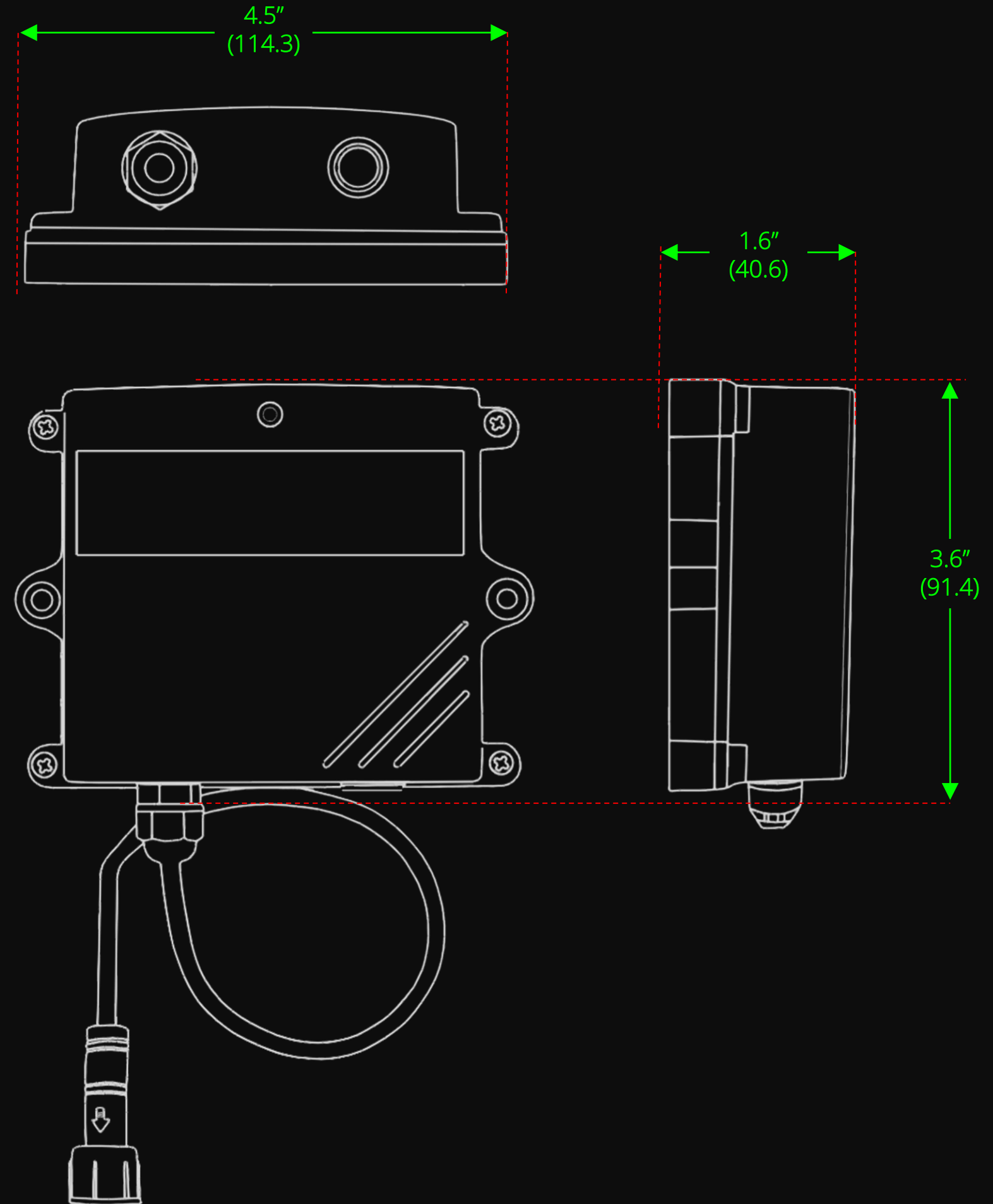
MODEL: YS5001

YOLINK



## DIMENSIONS:

inches  
(millimeters)



## SPECIFICATIONS:

Semtech LoRa RF Module YL09 microcontroller with 32-Bit RISC processor

**OPERATIONAL POWER:** (1) ER34615 3.6V Replaceable Lithium Battery

**OUTPUT/LOAD POWER:** 400 Milliamps, max.

**HARNESS:** 2-Conductor Cable, 8.5" (215.mm), w/Watertight Connector

**ACCESSORIES:** Extension Patch Cords Available in 3' & 10' Lengths

**ENVIRONMENTAL:** -4 to 140°F (-20 to 60°C)

**IP RATING:** IP67