

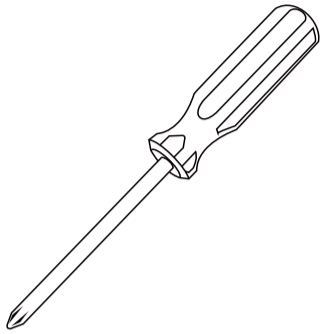
Replacing the Batteries

YS7903-Water Leak Sensor

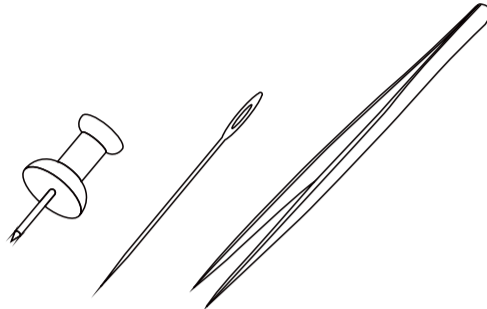
YS7906-Water Leak Sensor 4

YS7916-Water Leak Sensor 4 MoveAlert

Tools Required :



Small Phillips Screwdriver



Tweezers or Needle/Pin or Tack

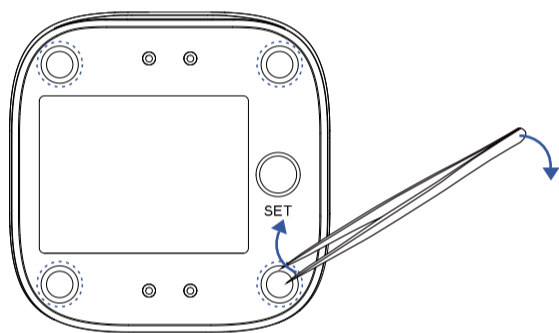


1. To maintain the watertight design of your Water Leak Sensor, use extreme care and follow the battery replacement instructions closely

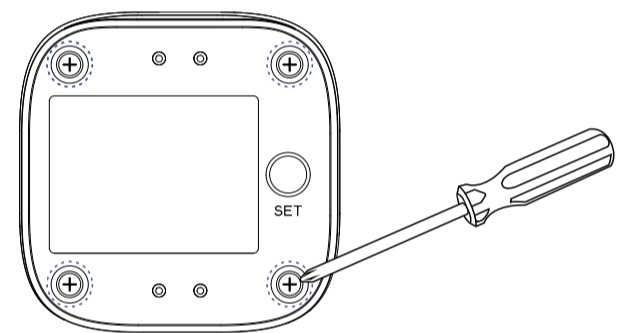
2. Do not mix old and new batteries

3. Make sure that the bottom shell and sealed rubber pads are tightly secured. Otherwise, the entry of water into the sensor may cause severe damage

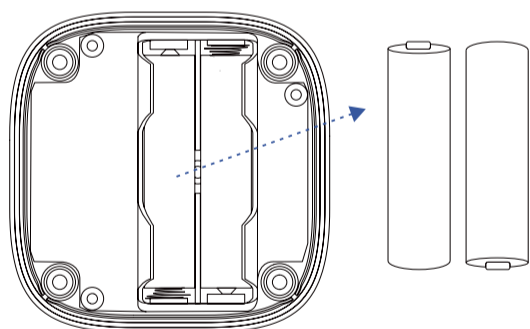
- 1 Use a pin or needle, tack, or tweezers to remove the four sealed rubber pads at the base of the device



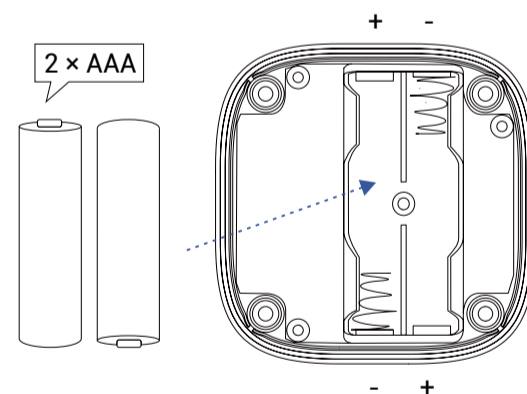
- 2 Use a screwdriver to loosen the screws at the base of the device and remove the base. Use care to retain the screws in the base, or carefully set them aside



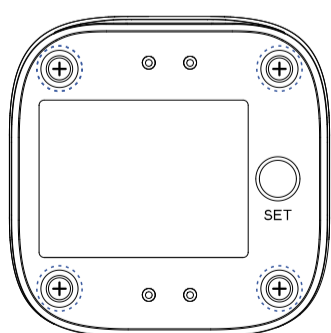
- 3 Remove the two old batteries



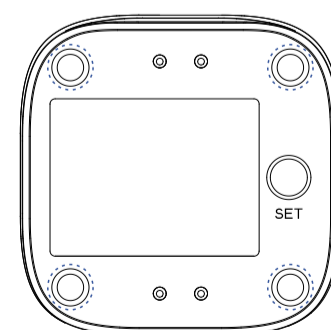
- 4 Install two new AAA batteries



- 5 Close and secure the base by reinstalling and tightening the four screws



- 6 Reattach the four sealing rubber pads



- 7 Press the SET button, and observe the Status LED blinks red then green, indicating it is online.



After replacing the batteries, it is a good idea to test the sensor.